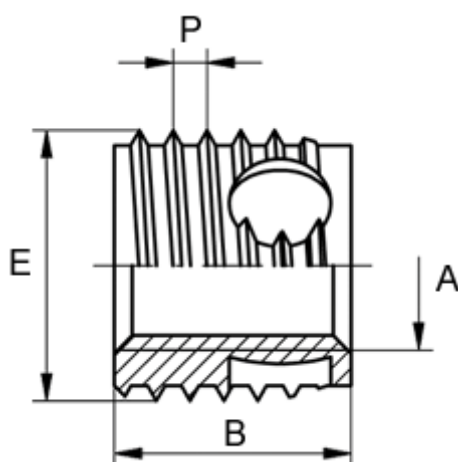


Article number: 12338000050400
Description: KLEE-coil 338 000 050.400
M5 St. steel 1.4105

Measures



Female thread A	= M5
Length B	= 10
Male thread E	= 8.0
Min hole depth blind hole	= 13
Thread pitch P	= 1.00
Type	= 338 000 050 ...